

# MOTOMAN MPX3500

Painting with the MPX3500



The fast and flexible MOTOMAN MPX3500 offers high performance in painting automobile bodies, bumpers, construction equipment and further more.

A high-density layout saves space by reducing the size of the painting booth. The L axis is designed with no offset to enable installation of the manipulator closer to a work piece, which saves space.

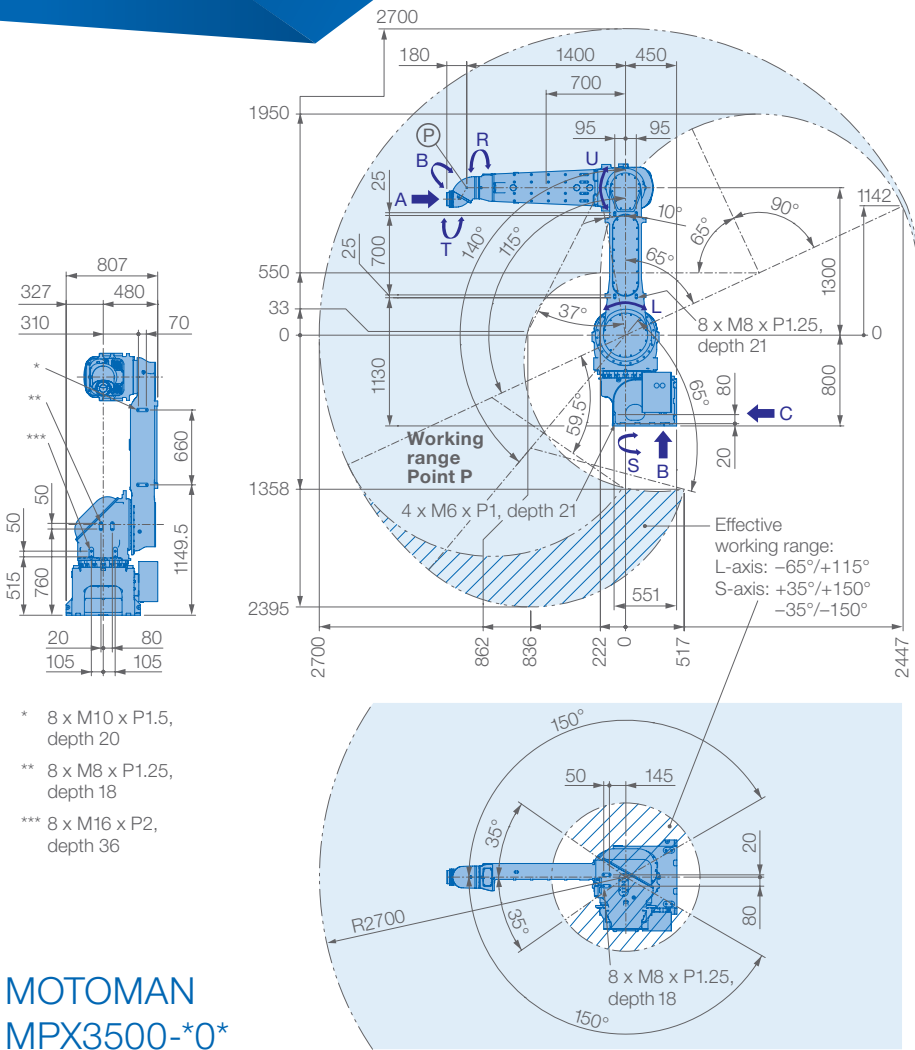
The time required for teaching large cells can be shortened by converting the data created for the robot on one side for the robot on the opposite side.

The hoses and tubes of the MOTOMAN MPX3500 can be routed inside the wrist section to prevent interferences. The process arm and high payload of this robot allows the mounting of large bell applicators, which enable multi-color painting.

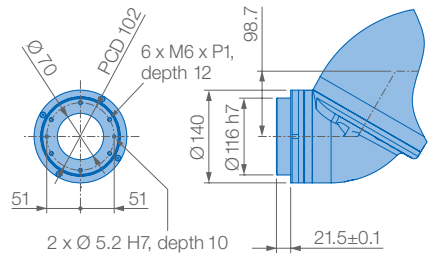
The MOTOMAN MPX3500 is controlled by the high-performance MOTOMAN DX200 controller, which is available with the optional Functional Safety Unit (FSU) that offers a wide range of new safety functions.

## KEY BENEFITS

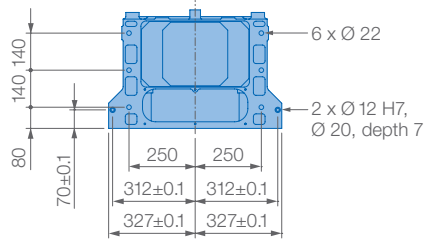
- Flexible, fast and versatile
- Compact design
- Large motion range: Front area 2700 mm; wall mounted 3500 mm
- High Payload of wrist: 15 kg
- Process arm with enough space for potential separator and process technology
- Easy programming and installation
- Great availability



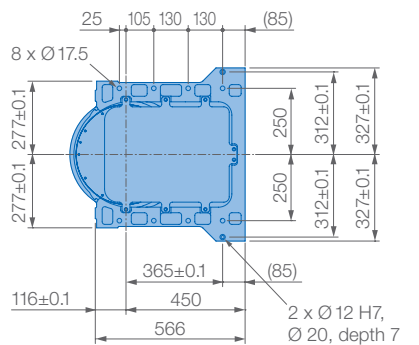
View A



View B



View C



Mounting options: Floor, ceiling, wall

Protection class: IP4X/67

MOTOMAN MPX3500-\*0\*

ATEX Category 2: MPX3500-Cxx[x]

**Ex** II 2 G Ex ib pxb IIB T4 Gb  
Ta = 0°C to 40°C

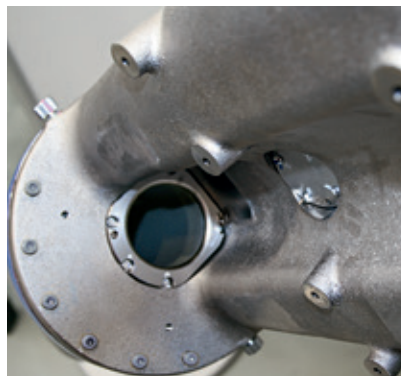
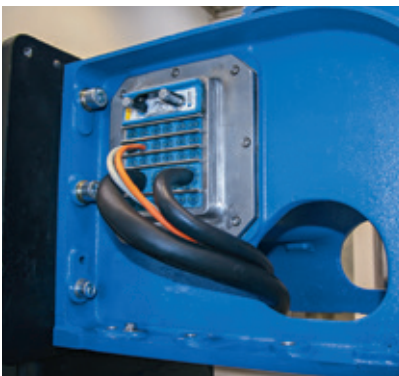
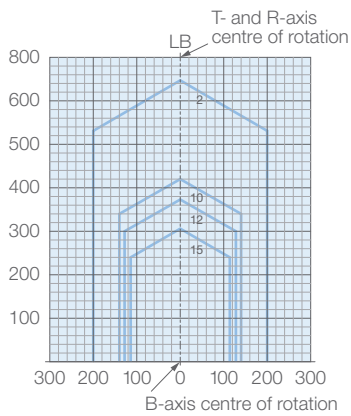


ATEX Category 3: MPX3500-Fxx[x]

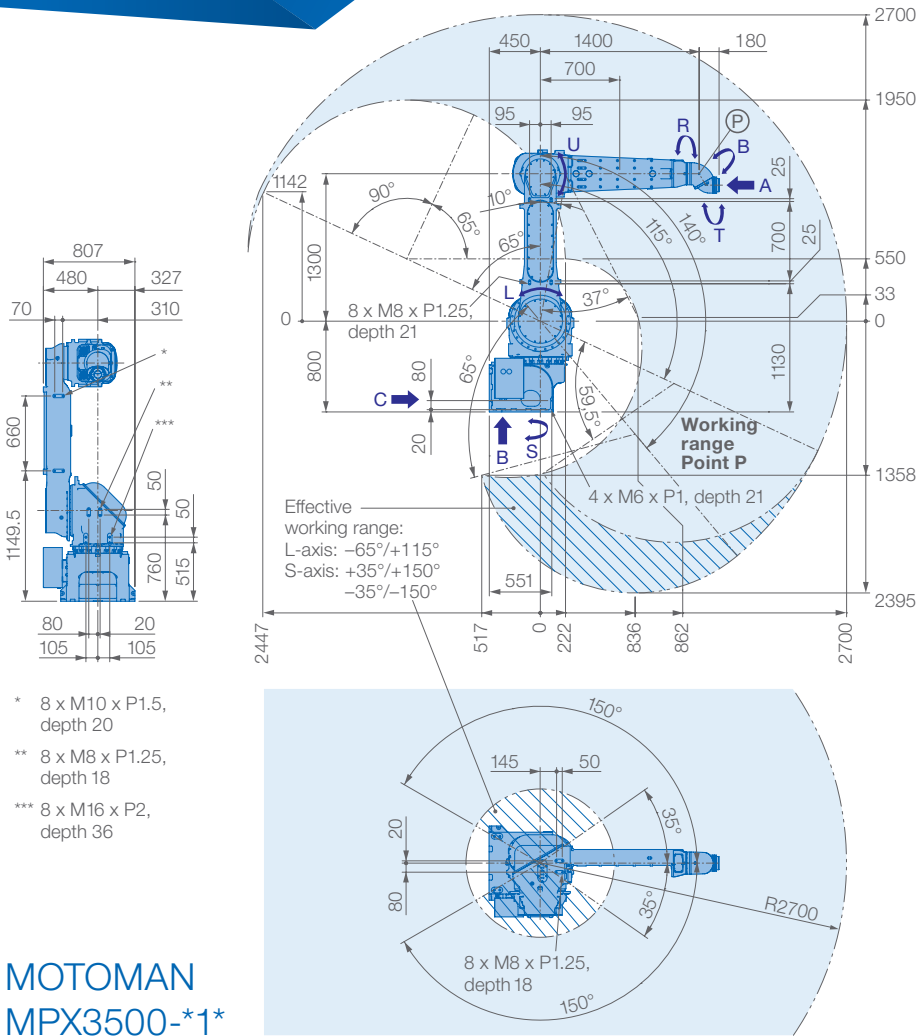
**Ex** II 3 G D Ex nA h IIC T4 Gc  
Ex tc h IIC T135°C Dc  
Ta = 0°C to 40°C



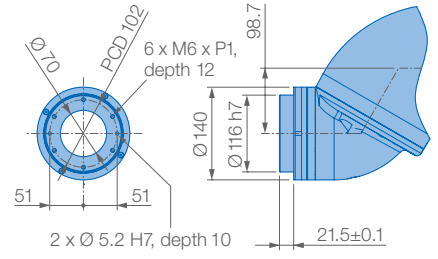
Allowable wrist load



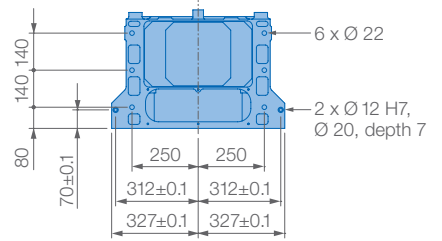
© SAMES KREMLIN



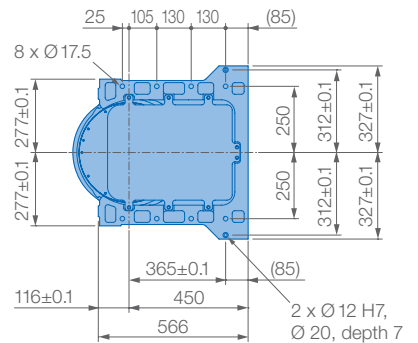
View A



View B



View C



Mounting options: Floor, ceiling, wall

Protection class: IP4X/67

MOTOMAN  
MPX3500-\*1\*

**ATEX Category 2: MPX3500-Cxx[x]**

**Ex** II 2 G Ex ib pxb IIB T4 Gb  
Ta = 0°C to 40°C

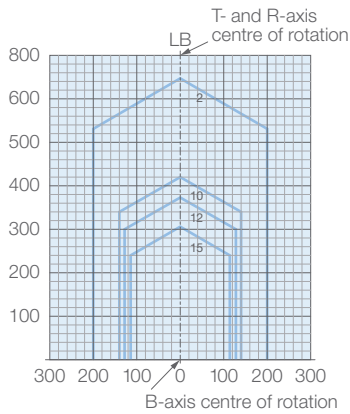


**ATEX Category 3: MPX3500-Fxx[x]**

**Ex** II 3 G D Ex nA h IIC T4 Gc  
Ex tc h IIC T135°C Dc  
Ta = 0°C to 40°C



**Allowable wrist load**



**Specifications MPX3500-\*0\* / MPX3500-\*1\***

Axes	Maximum motion range [°]	Maximum speed [°/s]	Allowable moment [Nm]	Allowable moment of inertia [kg · m <sup>2</sup> ]	Controlled axes	6
S	±150	100	-	-	Max. payload [kg]	15
L	+140/-65	100	-	-	Repeatability [mm]	±0.15
U	+90/-65	110	-	-	Max. working range R [mm]	2700
R	±720	300	93.2	3.75	Temperature [°C]	0 to +40
B	±720	360	58.8	2.23	Humidity [%]	20 – 80
T	±720	360	19.6	0.20	Weight [kg]	560
					Power supply, average [kVA]	3

## YASKAWA GROUP

AT	Yaskawa Austria Schwechat/Wien +43(0)1-707-9324-15
CZ	Yaskawa Czech s.r.o. Rudná u Prahy +420-257-941-718
ES	Yaskawa Ibérica, S.L. Gavà/Barcelona +34-93-6303478
FR	Yaskawa France SARL Le Bignon +33-2-40131919
FI	Yaskawa Finland Oy Turku +358-(0)-403000600
GB	Yaskawa UK Ltd. Banbury +44-1295-272755
IT	Yaskawa Italia s.r.l. Torino +39-011-9005833
IL	Yaskawa Europe Technology Ltd. Rosh Ha'ayin +972-3-9004114
NL	Yaskawa Benelux B.V. Eindhoven +31-40-2895500
PL	Yaskawa Polska Sp. z o.o. Wrocław +48-71-7928670
RU	Yaskawa Europe Holding AB Moskva +46-480-417-800
SE	Yaskawa Nordic AB Torsås +46-480-417-800
SI	Yaskawa Slovenia Ribnica +386-1-8372-410
TR	Yaskawa Turkey Elektrik Ticaret Ltd. Sti. İstanbul +90-216-5273450
ZA	Yaskawa Southern Africa (PTY) Ltd Johannesburg +27-11-6083182

## DISTRIBUTORS

BG	ARAMET ROBOTICS Ltd. Yambol +359-885 317 294  Kammarton Bulgaria Ltd. Sofia +359-02-926-6060
DK	Robotcenter Danmark Løsning +45 7022 2477
EE	RKR Seadmed OÜ Tallinn/Estonia +372-68-35-235
GR	Gizelis Robotics Schimatari Viotias +30-2262057199
HU	Flexman Robotics Kft Budapest +36 1 259 0981
LT	Profibus UAB Panevezys +370-45-518575
NO	Skala Robotech AS Lierstranda +47-32240600
PT	ROBOPLAN Lda Aveiro +351-234 943 900
RO	Sam Robotics srl Timisoara +40 720 279 866  MPL Automation S.R.L. Satu Mare +40 261 750 741  NORMANDIA S.R.L. Braşov +40 268 549 236



## Yaskawa Headquarters

Yaskawa Europe GmbH  
Robotics Division  
Yaskawastraße 1  
85391 Allershausen, Germany  
Tel. +49 (0) 8166/90-0  
Fax +49 (0) 8166/90-103

robotics@yaskawa.eu.com  
www.yaskawa.eu.com

## Yaskawa Academy and sales office Frankfurt

Yaskawa Europe GmbH  
Robotics Division  
Hauptstraße 185  
65760 Eschborn, Germany  
Tel. +49 (0) 6196/77725-0  
Fax +49 (0) 6196/77725-39

All drawing dimensions in mm.  
Technical data may be subject to change without previous notice.  
Please request detailed drawings at [robotics@yaskawa.eu.com](mailto:robotics@yaskawa.eu.com).

YR-MPX3500-10\*, YR-MPX3500-11\*  
D-03-2019, A-No. 176061

# YASKAWA